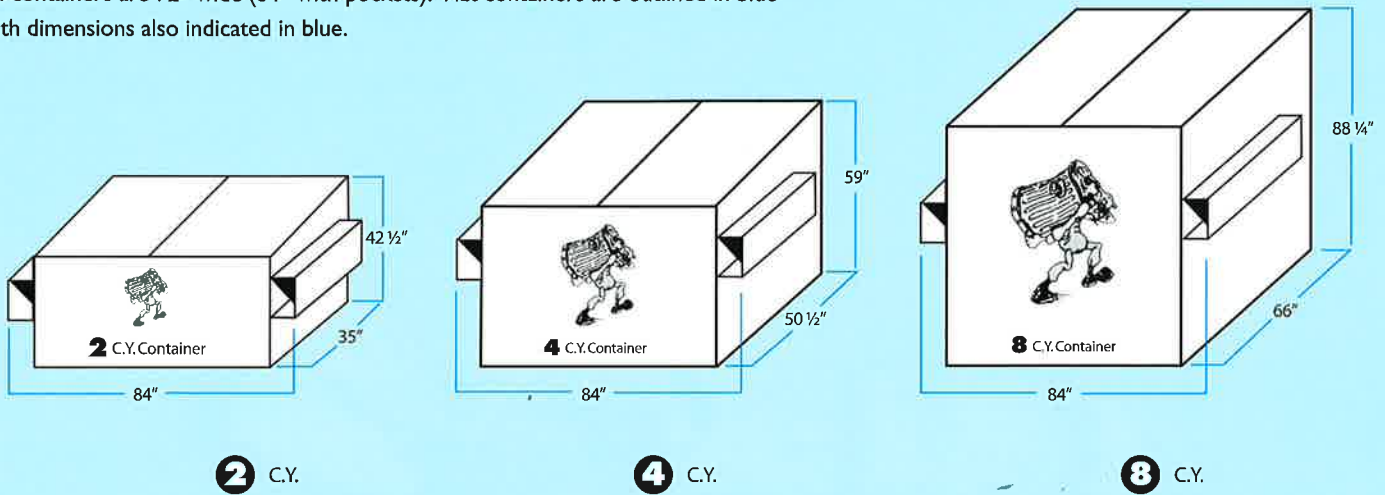


El Paso Disposal Container Dimensions

One cubic yard is equal to four 55-gallon drums, or seven 30-gallon garbage cans. All containers are 72" wide (84" with pockets). Flat containers are outlined in blue with dimensions also indicated in blue.



	2 C.Y.	4 C.Y.	8 C.Y.
Lift sleeves width	84"	84"	84"
Depth	35"	50 1/2"	66"
Back height	42 1/2"	59"	80 1/4"

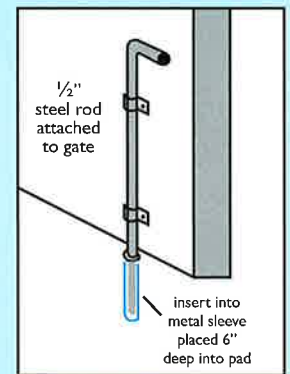
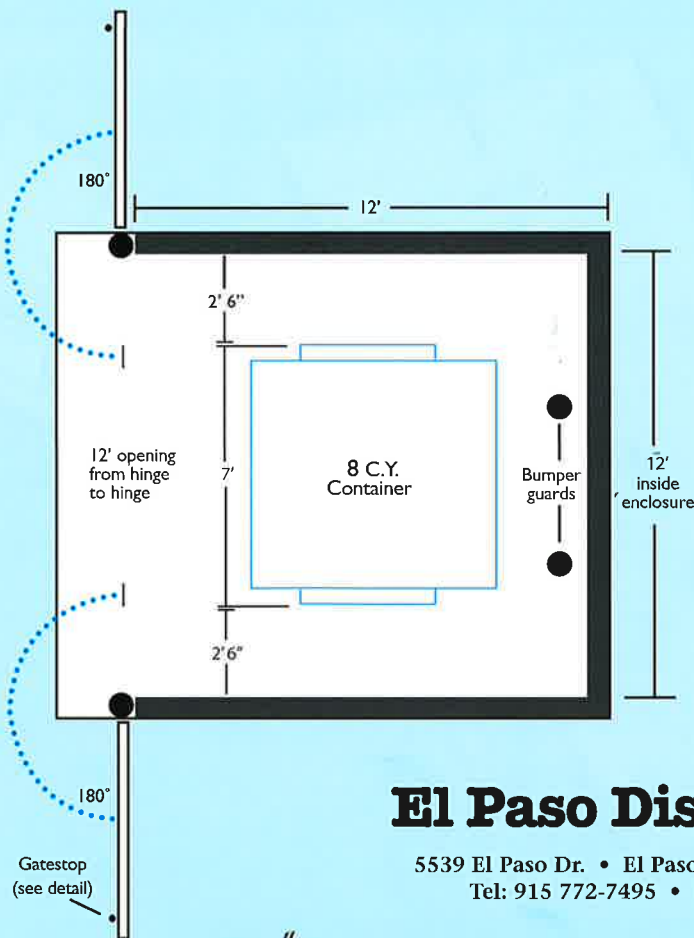
Enclosure Requirements

PAD

Minimum inside dimensions are 12' wide and 12' deep. Concrete must be 3000 p.s.i., steel-reinforced and 5" thick. Top of pad must be at ground level with a concrete apron at least 4' long.

GATE OPENING

Recommended minimum is 12', Hinge to hinge. Gates must open 180°. (Hinges should be on outside of wall) To prevent the wind from causing damage during service, a gate stop should be located 180° from closed position.



GATESTOP DETAIL

El Paso Disposal

5539 El Paso Dr. • El Paso, Texas 79905
Tel: 915 772-7495 • Fax: 779-2931

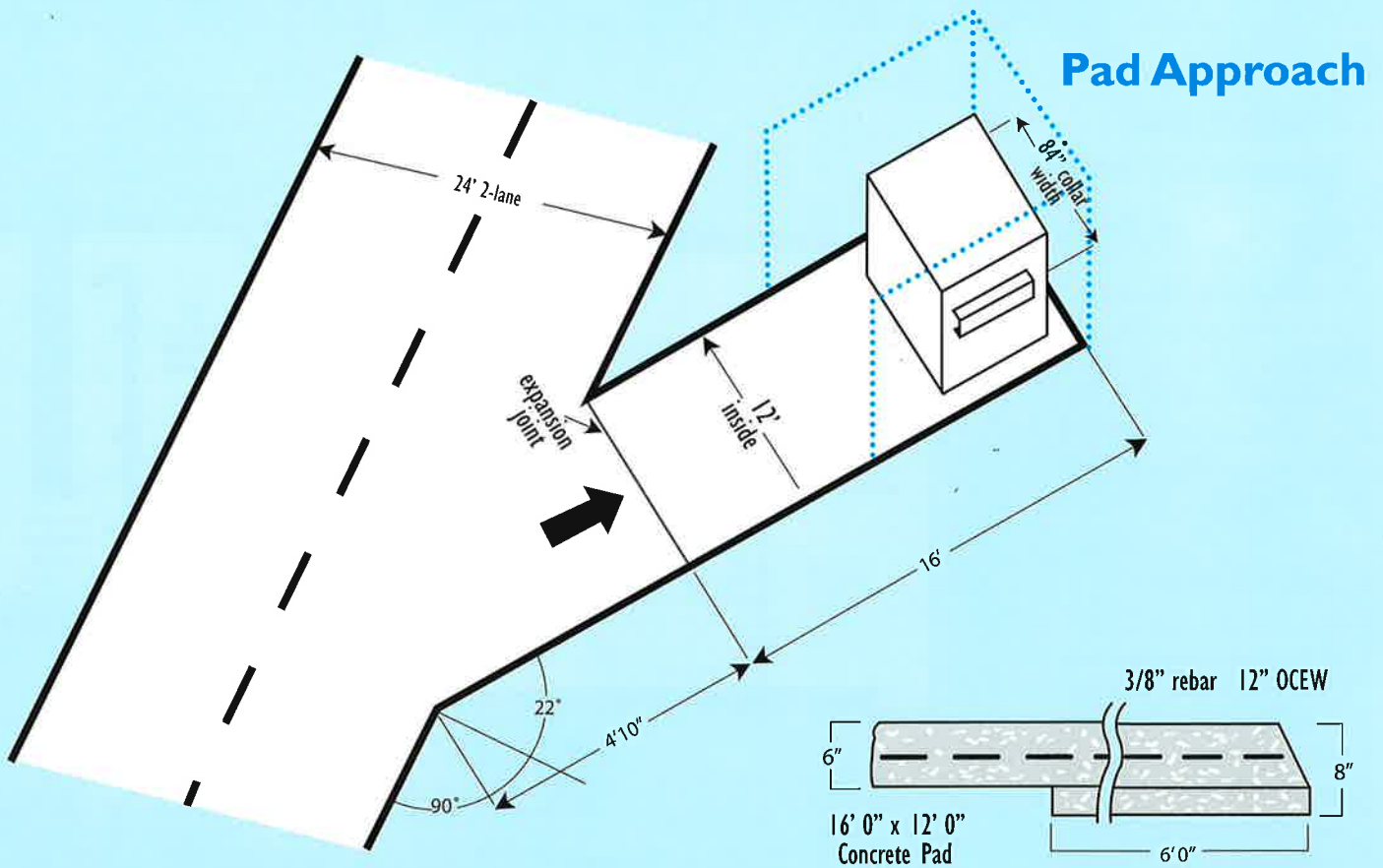
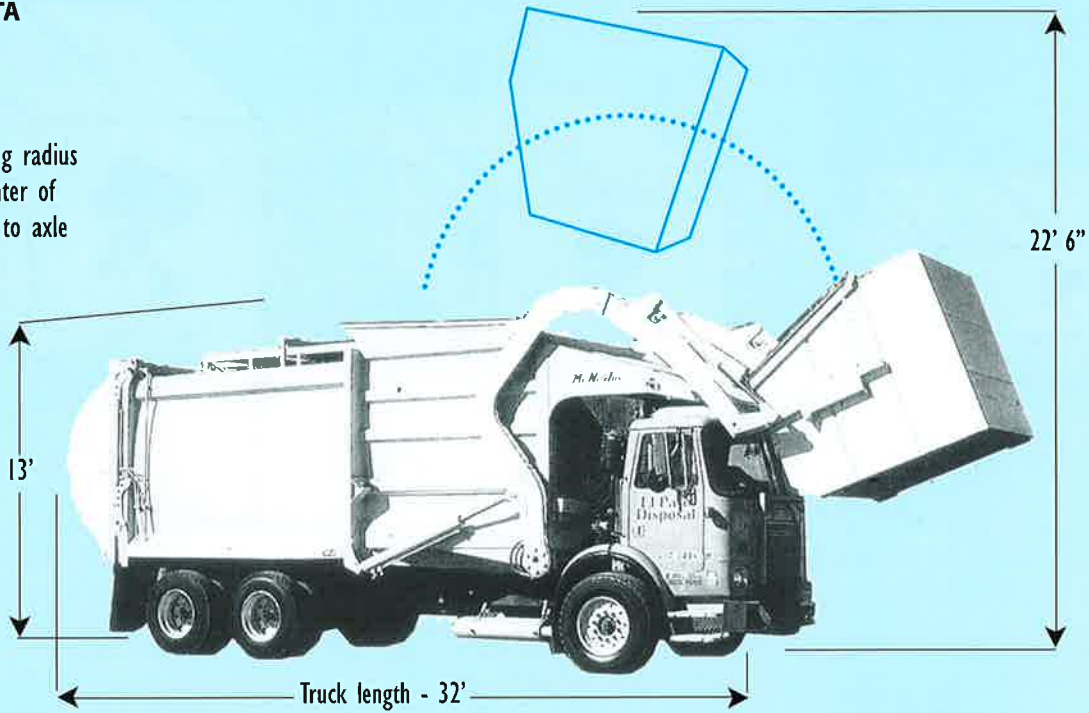
WE Really MOVE OUR CAN FOR YOU!



Industry Requirements for Solid Waste Removal

TRUCK DATA

- 32' long
- 8' wide
- 13' high
- 22' 6" lifting radius
- 5' from center of lifting arm to axle



Container Enclosure Pad